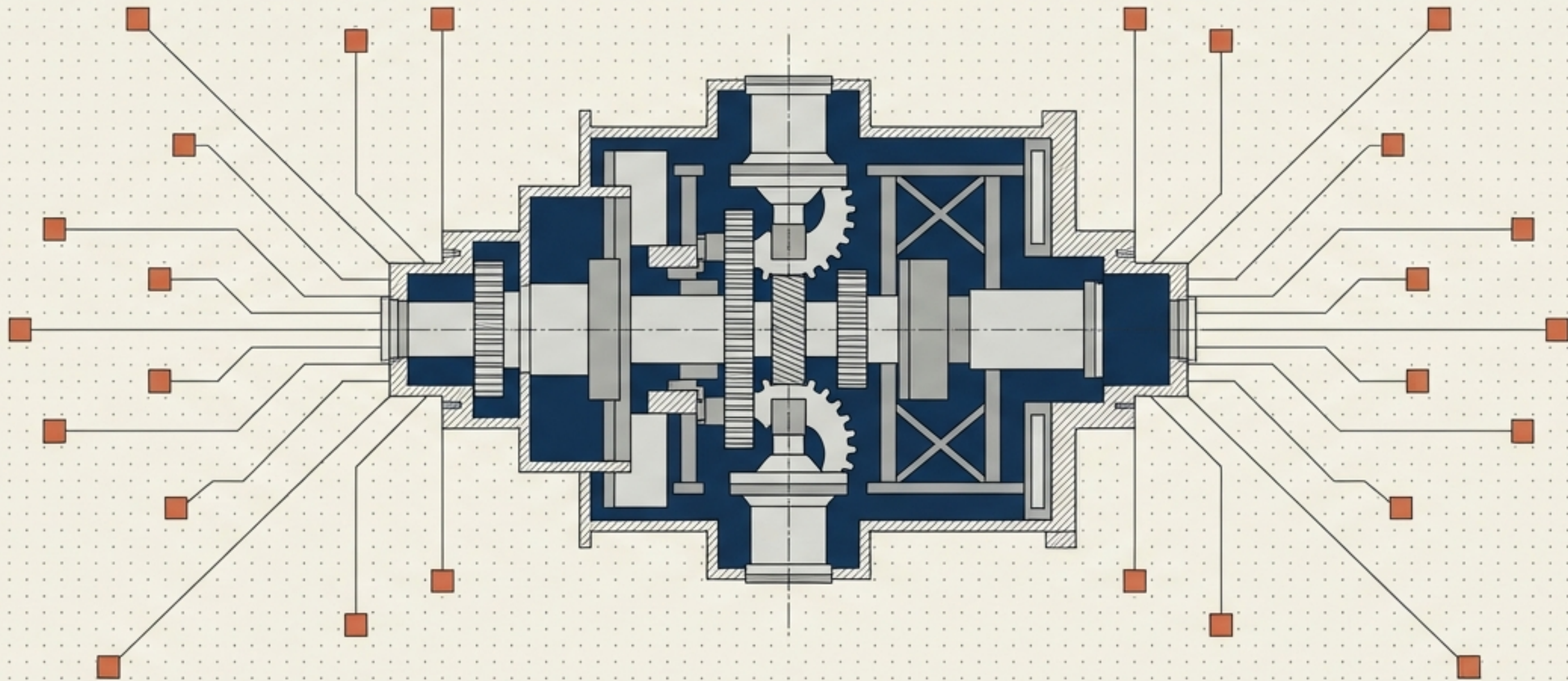


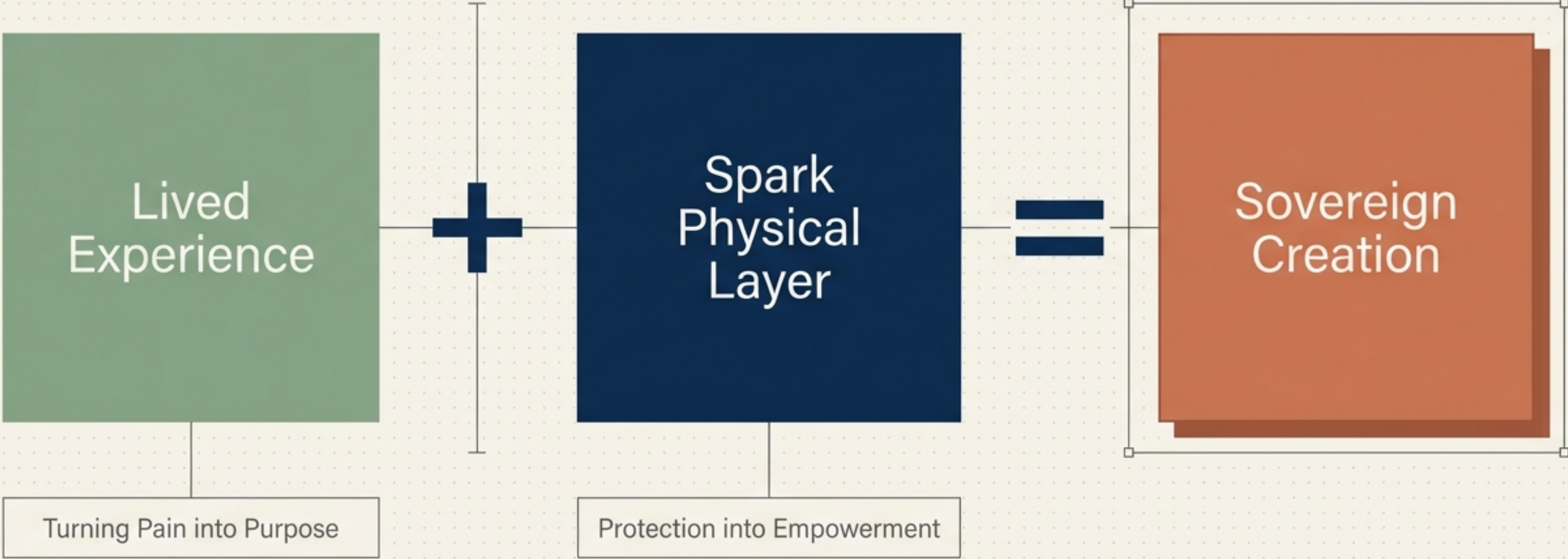
# Dignity by Design

The Physical Adaptive AI Ecosystem.



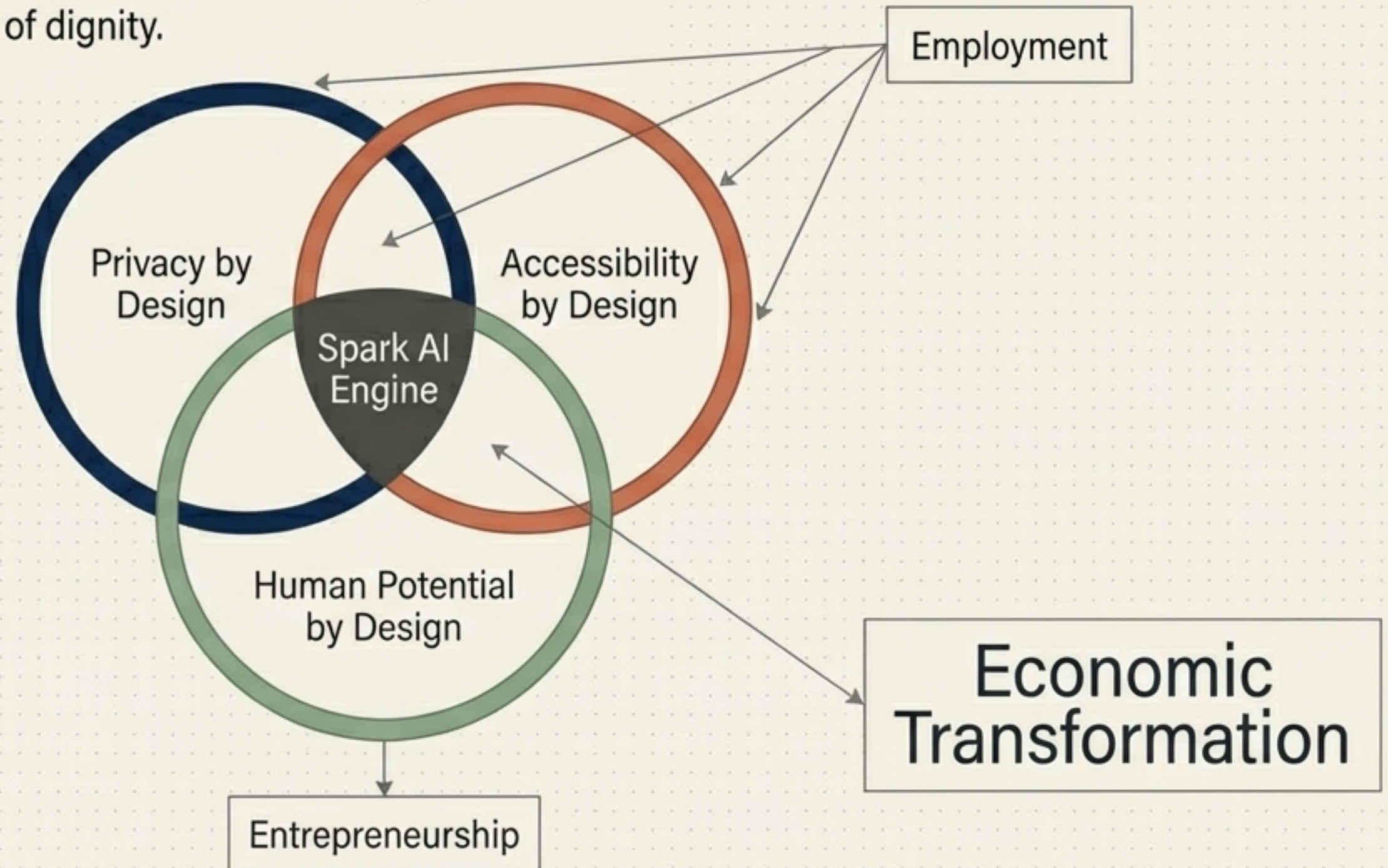
# Lived Experience as the Ultimate Design Advantage

Spark AI NLP acts as the missing layer that turns physical assistive technology into scalable economic empowerment.



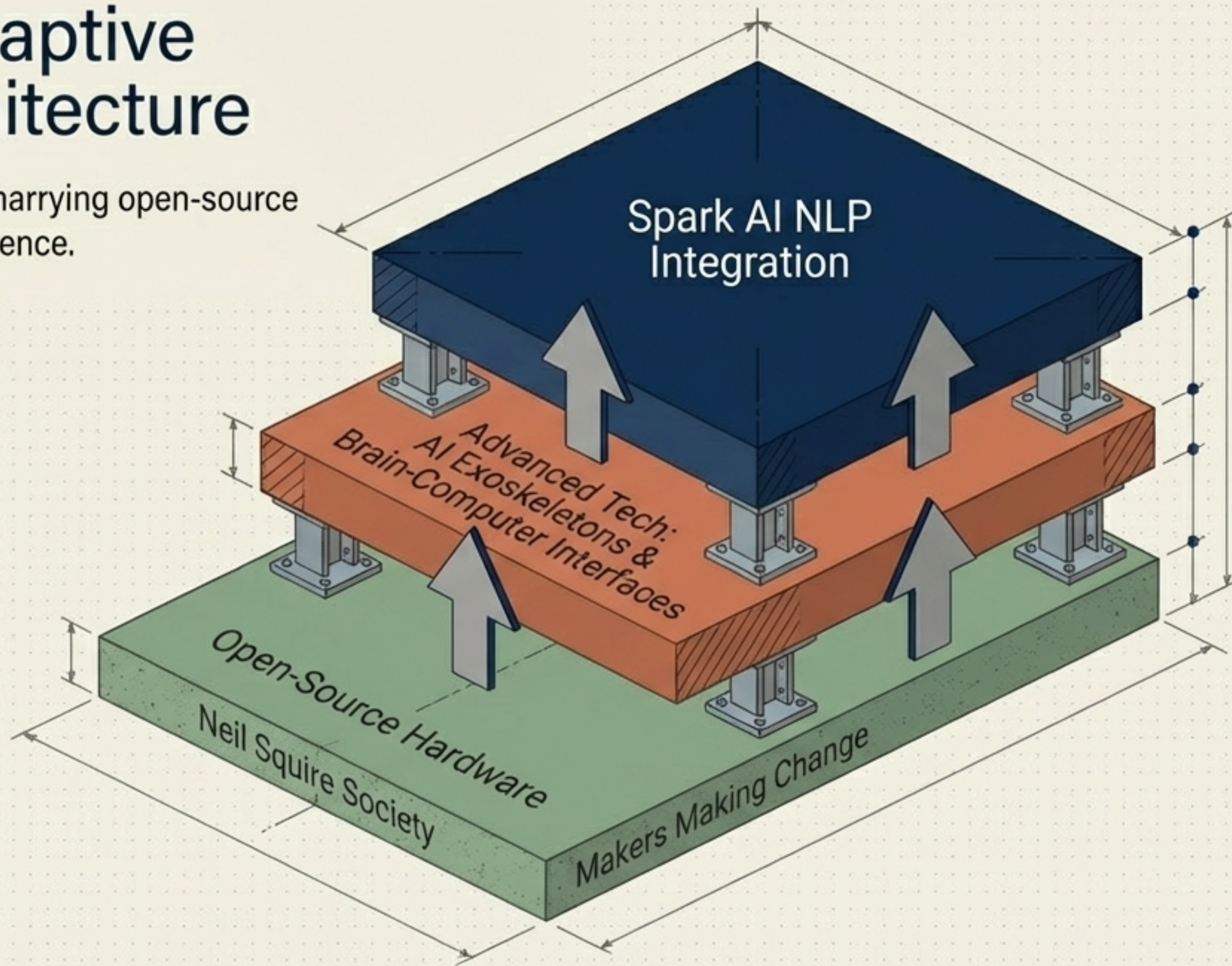
# Unbreakable Data Protection Meets Inclusive Transformation

Integrating an adaptive physical layer built from lived disability experience generates a true engine of dignity.



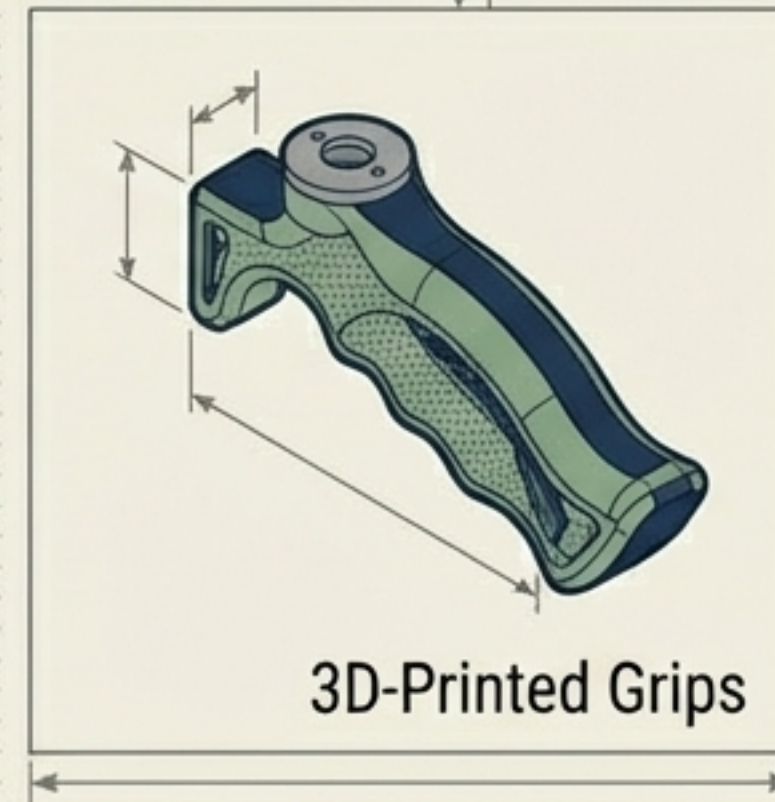
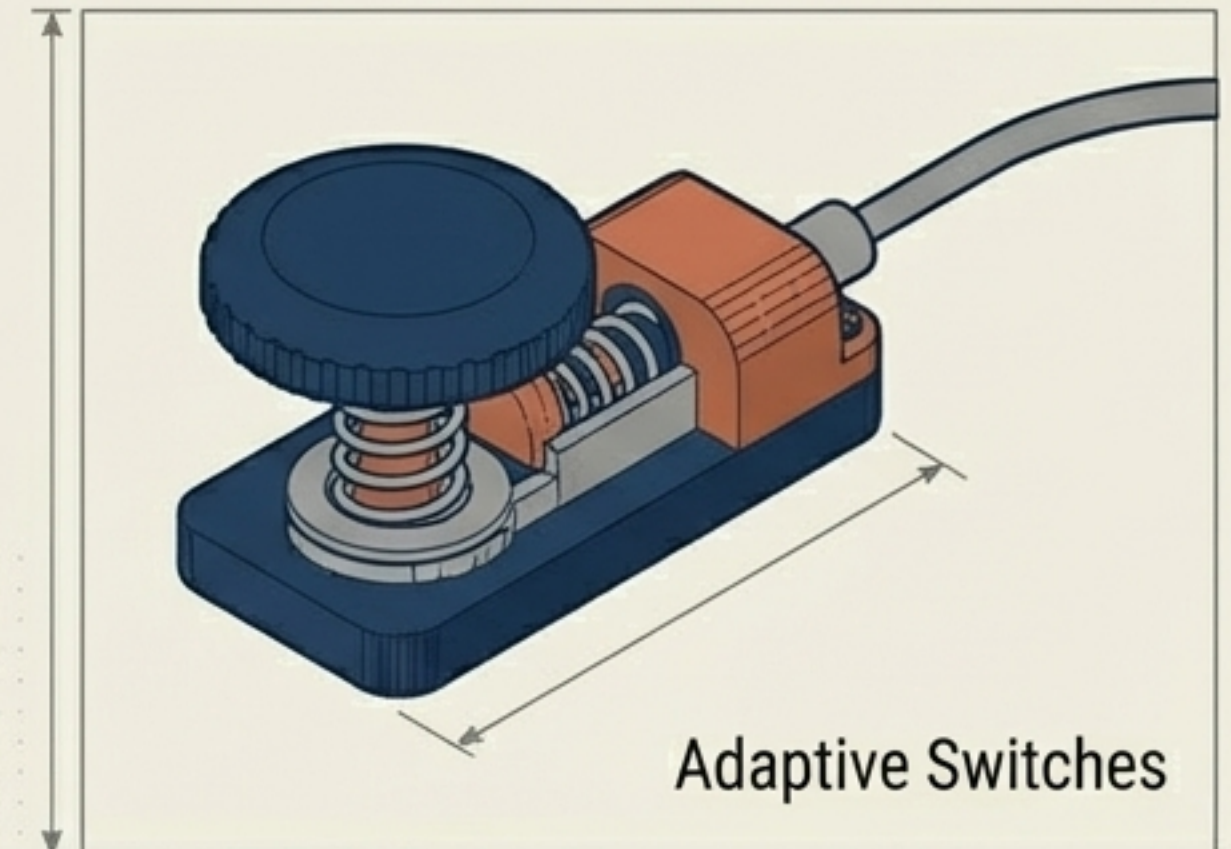
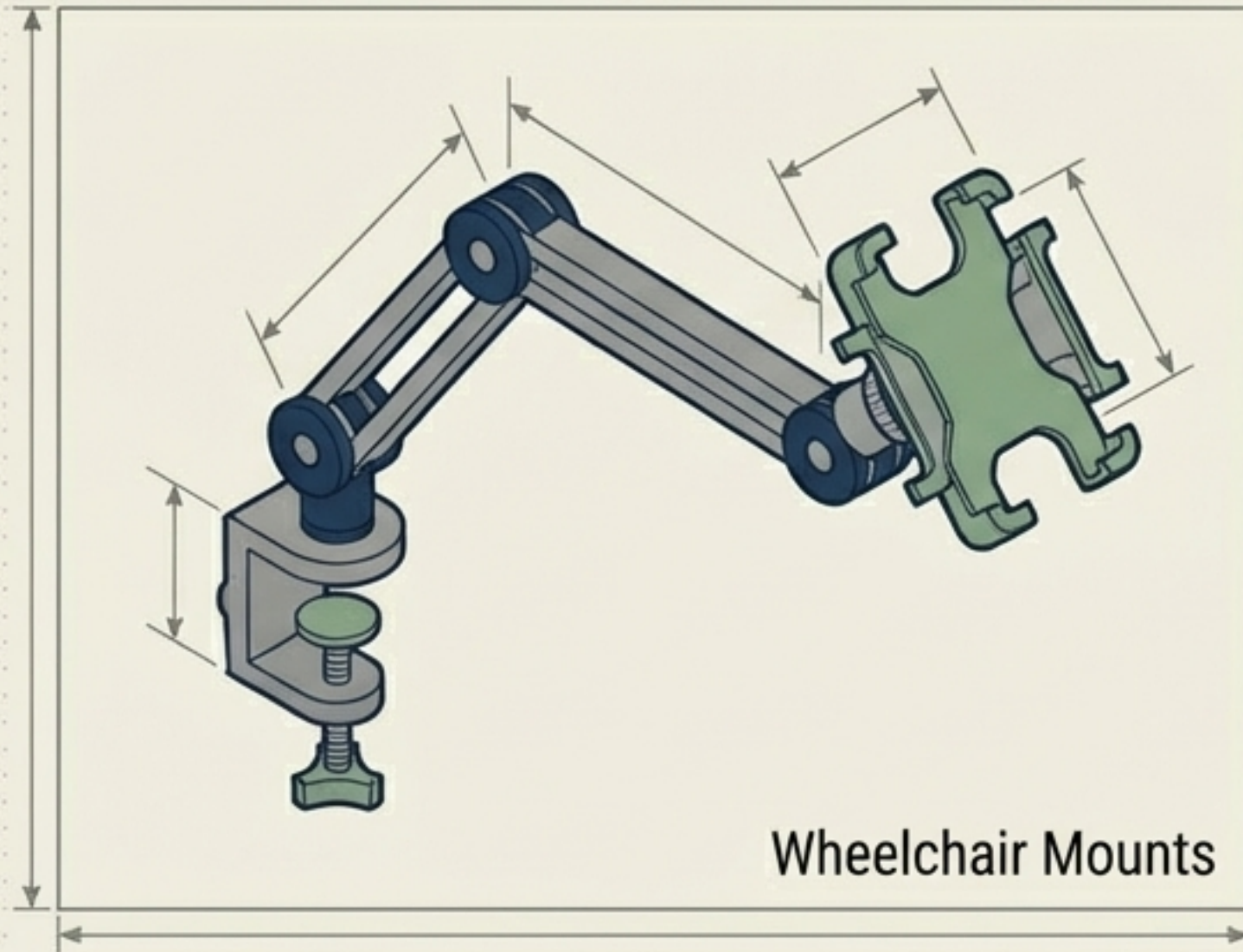
# The Physical Adaptive Ecosystem Architecture

A highly scalable technology stack marrying open-source hardware with bleeding-edge intelligence.



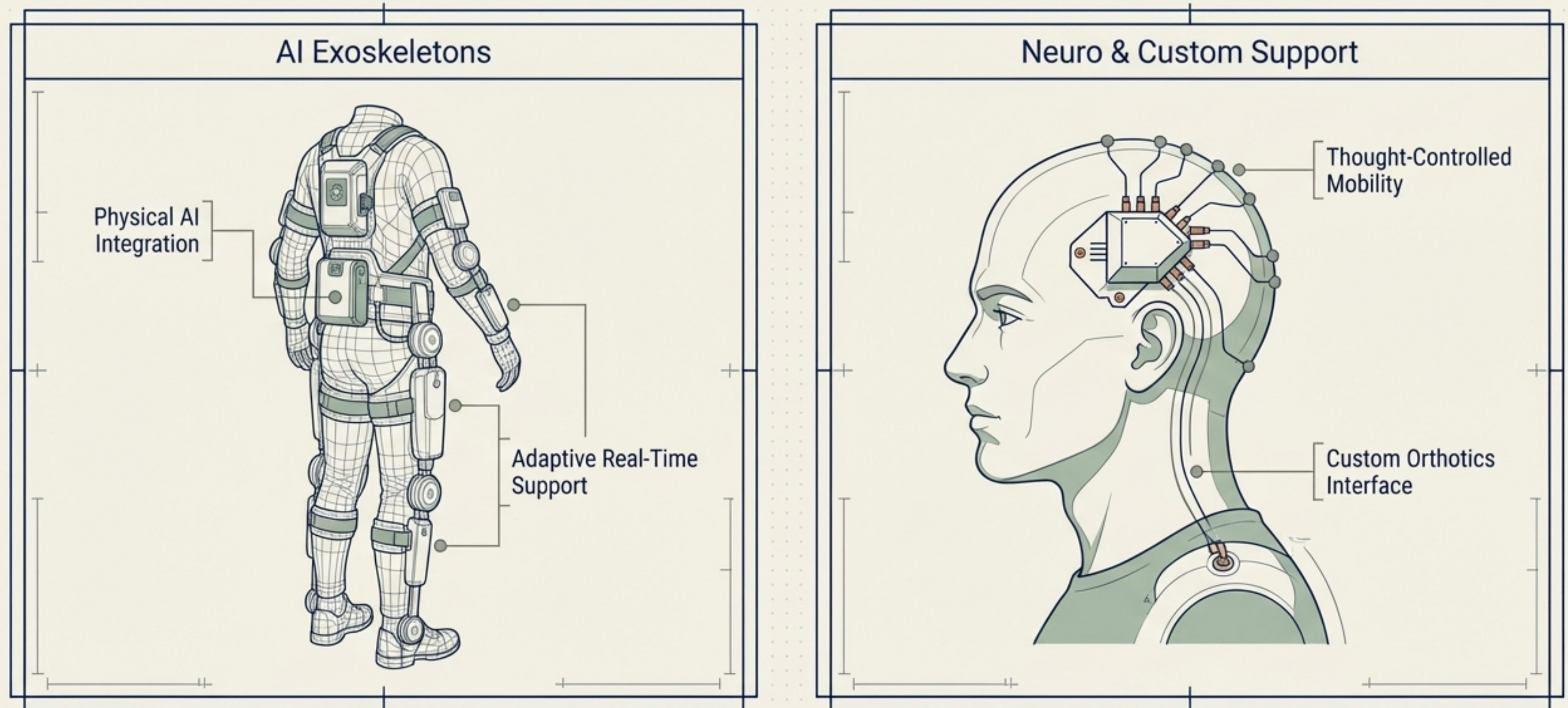
# The Accessible Hardware Foundation

Partnering with Canadian leaders to deliver thousands of custom assistive devices annually.



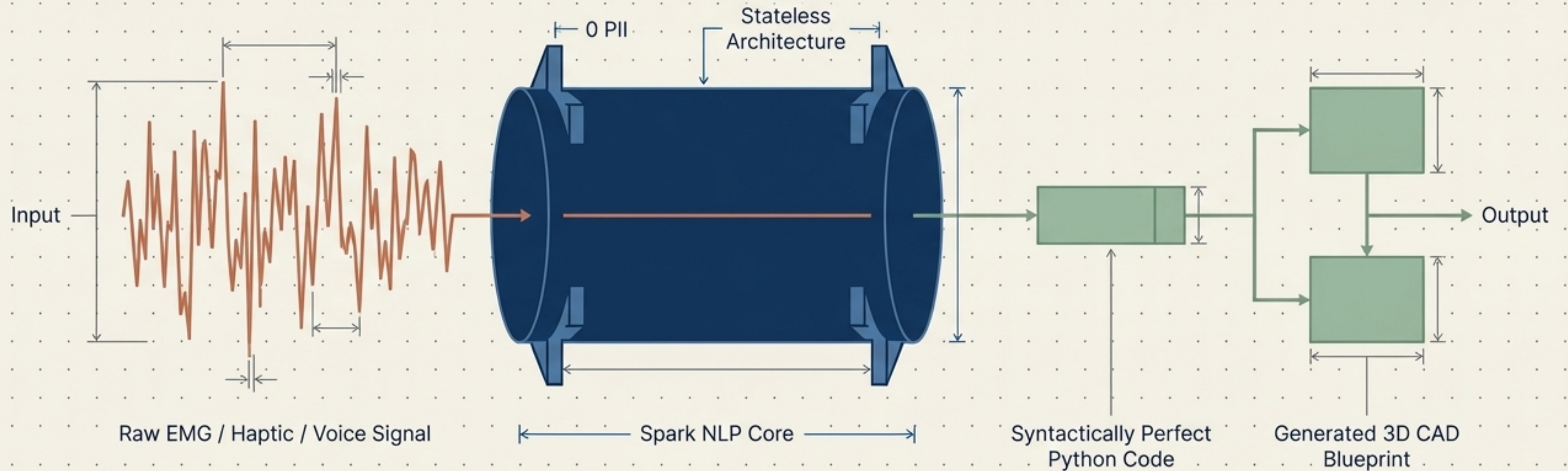
# The Next Generation of Physical Support

Integrating with state-of-the-art physical support systems for adaptive real-time mediation.





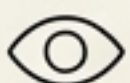


# The Universal Translation Engine

Spark NLP securely bridges the gap between varied physical inputs and complex economic outputs.



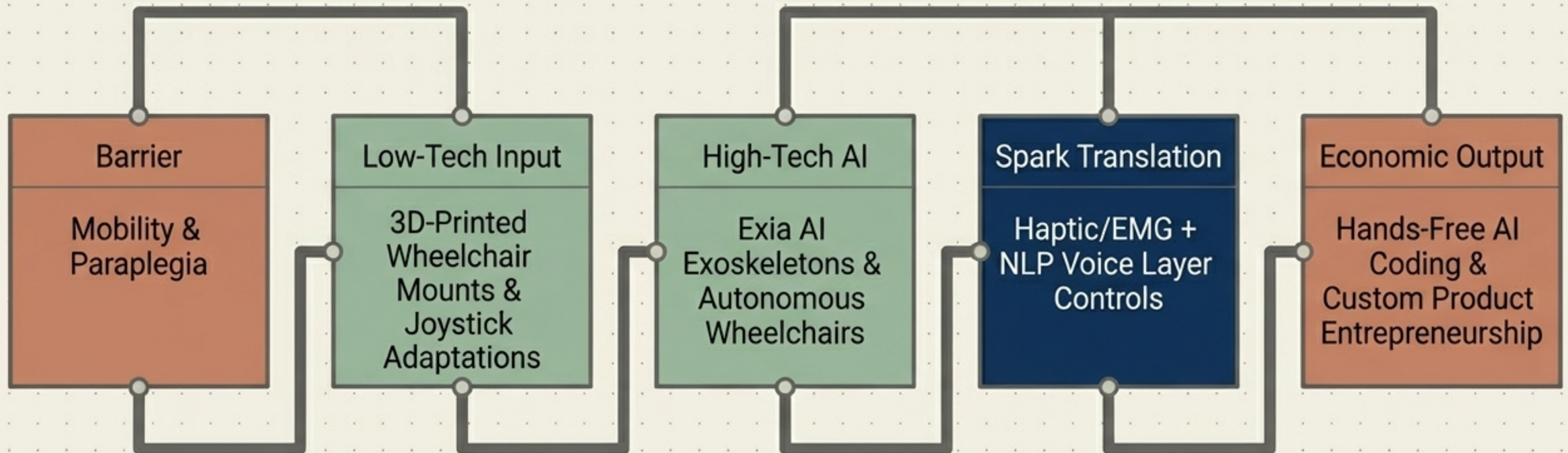
# Pathways to Automation Diagnostic Matrix

Mapping specific physical barriers through the tech stack to sovereign economic outcomes.

	Hardware Foundation	AI Adaptation Layer	Spark NLP Translation	Economic Output
 Mobility / Paraplegia	3D Wheelchair Mounts	Exoskeletons & BCI	Haptic & Voice Control	AI Coding & Design
 Upper Limb / Quad	3D Grips & Aids	BCI Robotic Arms	Micro-Movement NLP	Generative AI Business
 Sensory (Vision)	Tactile Overlays	Real-Time Description	Haptic Feedback NLP	Inclusive Content
 Cognitive Processing	Adaptive Switches	Task Decomposition	Command Simplification	Automated Administration
 Speech / Communication	AAC Mounts	AI Pictograms	Voice-to-Action Protocol	Instant Automation

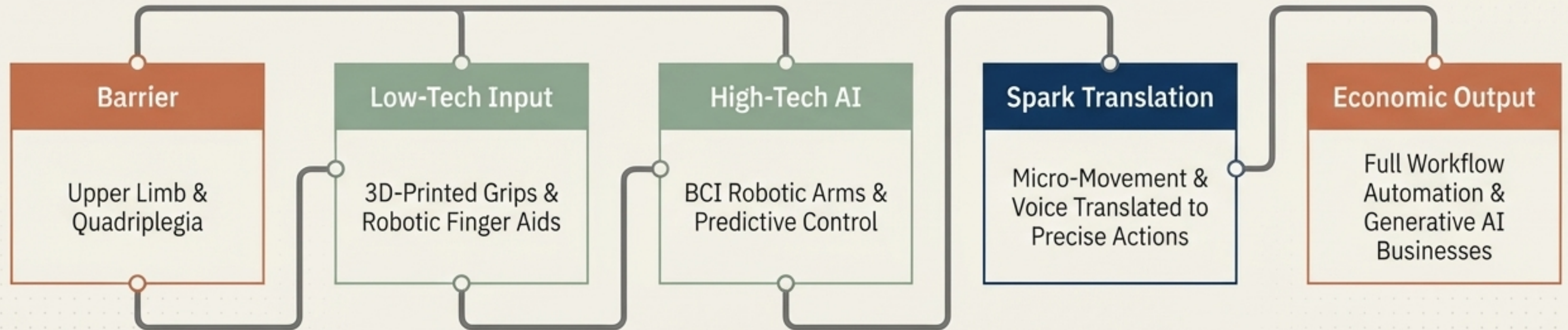
# Transformation Pathway: Mobility & Paraplegia

Converting environmental navigation and hardware control into hands-free digital creation.



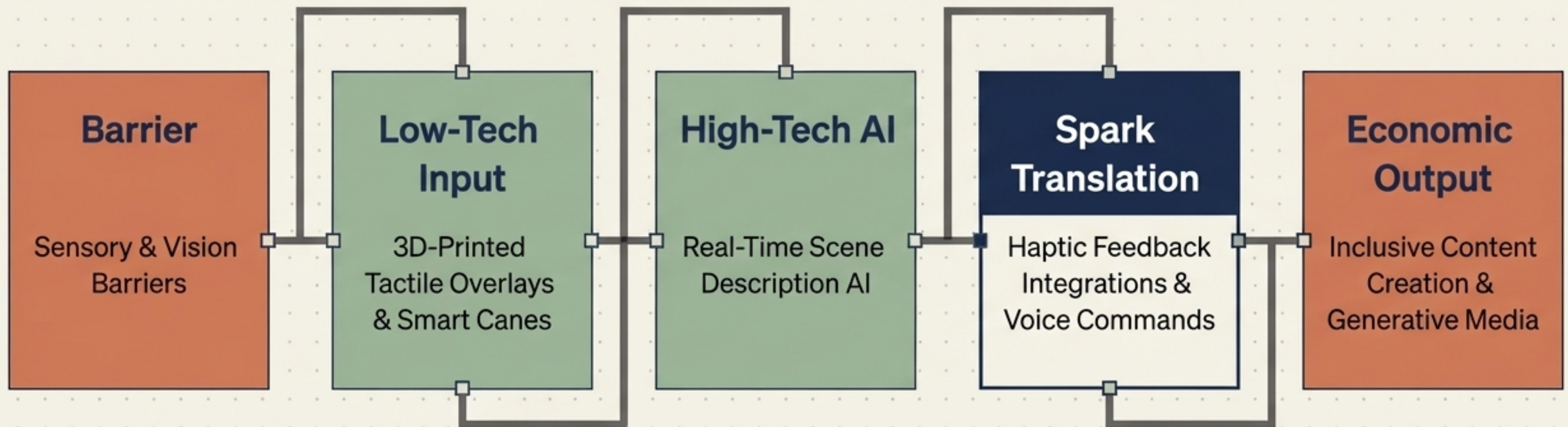
# Transformation Pathway: Upper Limb & Quadriplegia

Topic sentence: Scaling minimal movement into comprehensive workflow automation.



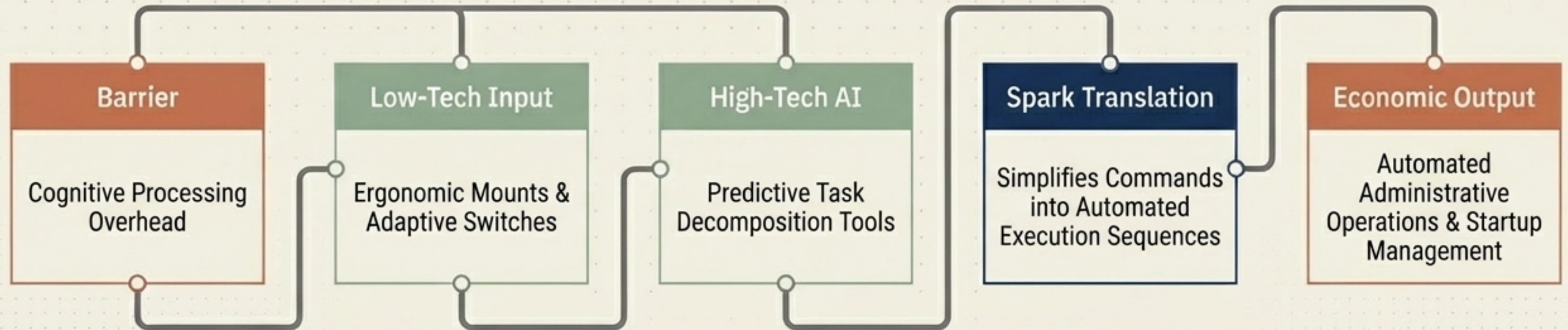
# Transformation Pathway: Sensory & Vision

Translating environmental descriptions into generative visual and textual content.



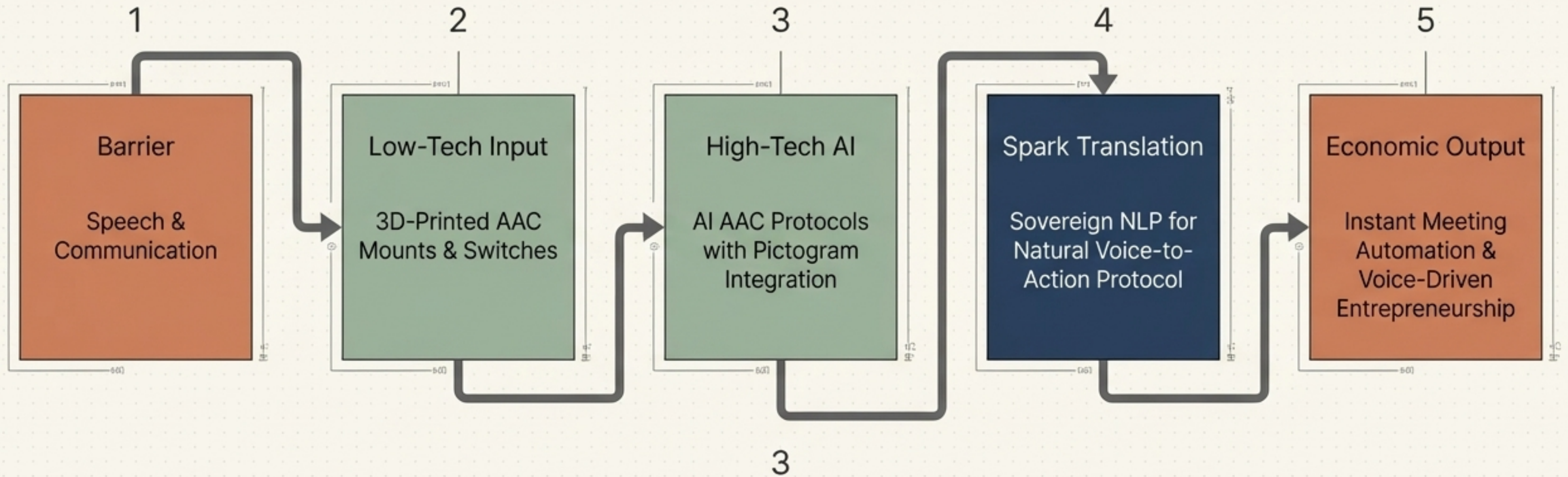
# Transformation Pathway: Cognitive Processing

Simplifying complex commands into frictionless, automated sequences.



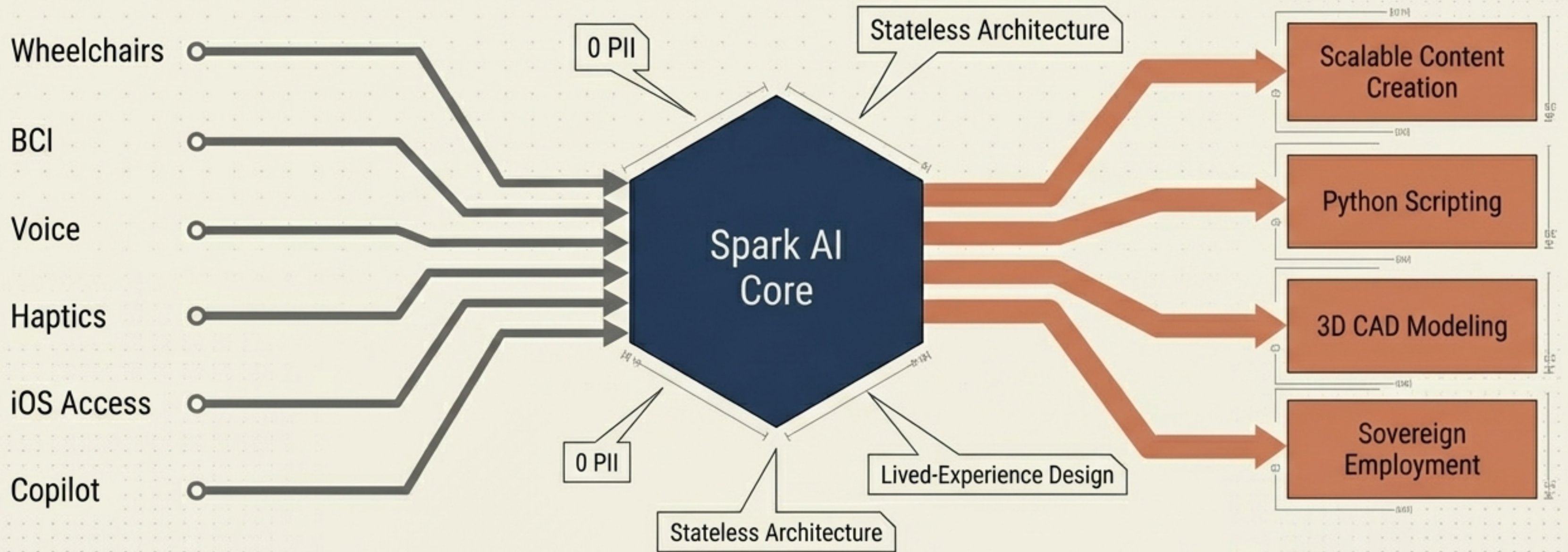
# Transformation Pathway: Speech & Communication

Harnessing natural voice patterns for instant, sovereign digital command.



# The Complete Sovereign Mediation Layer

Unifying complex, multi-spectrum physical inputs to produce indistinguishable, high-value economic creation.



# End-to-End Sovereign Ecosystem

From personal daily automation to scalable, disability-led enterprise creation.

